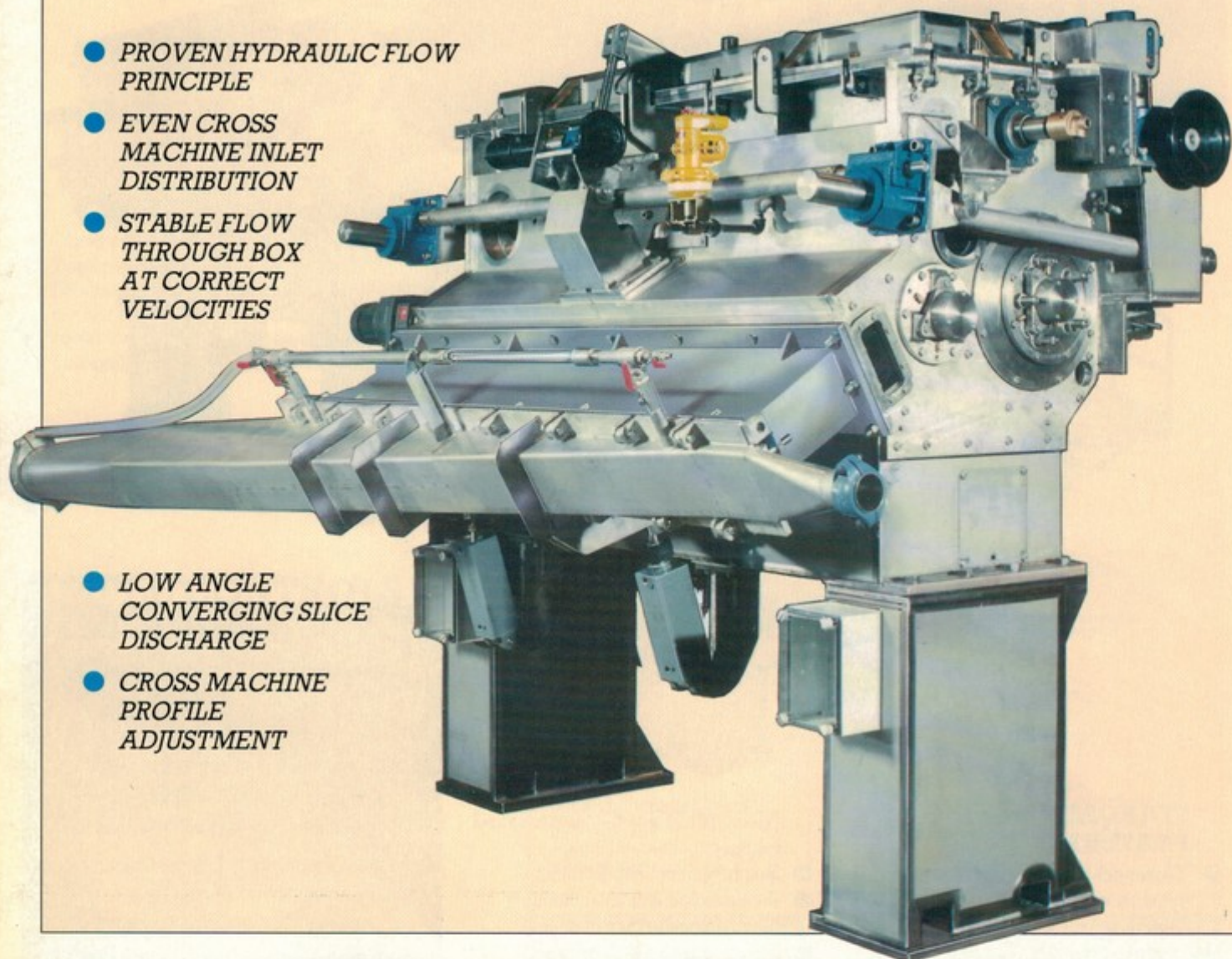




AIR CUSHIONED FLOWBOXES



- *PROVEN HYDRAULIC FLOW PRINCIPLE*

- *EVEN CROSS MACHINE INLET DISTRIBUTION*

- *STABLE FLOW THROUGH BOX AT CORRECT VELOCITIES*

- *LOW ANGLE CONVERGING SLICE DISCHARGE*

- *CROSS MACHINE PROFILE ADJUSTMENT*

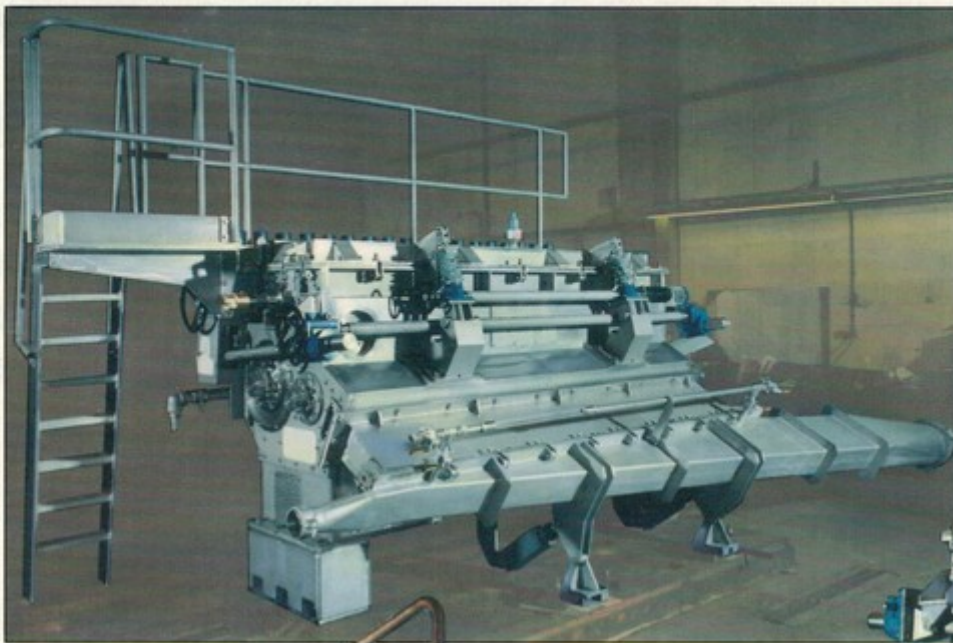
- *DESIGNED FOR ALL WIDTHS AND SPEEDS*

- *SUITABLE FOR ALL BASIS WEIGHTS AND MOST GRADES*

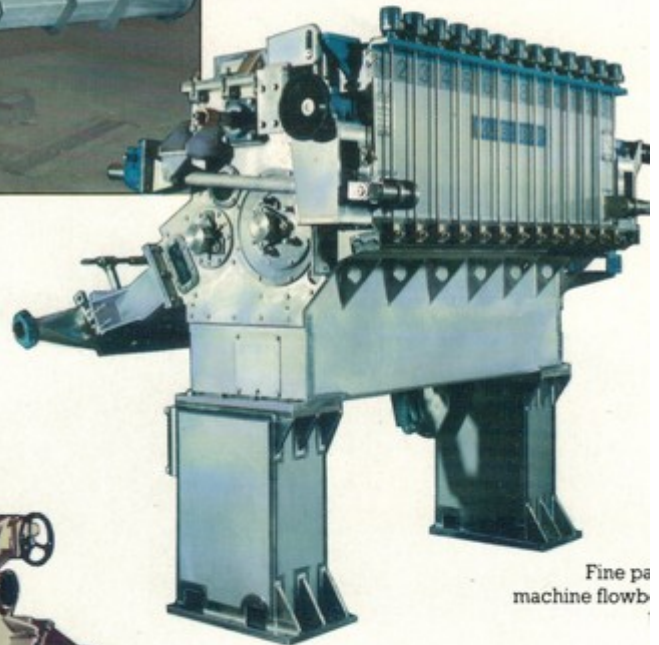
HOLDER PAMMAC

HOLDER PAMAC

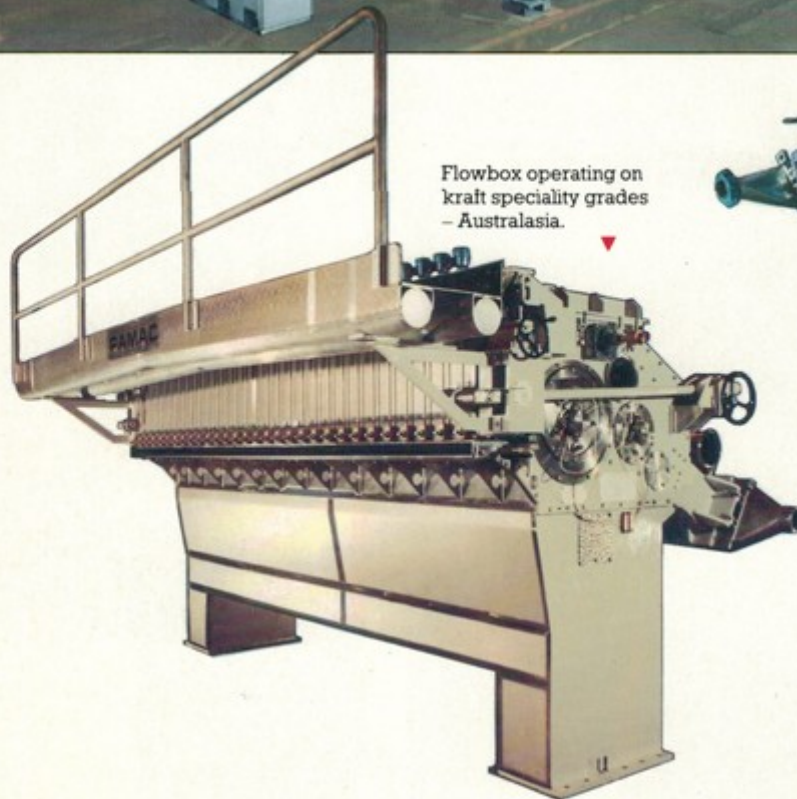
AIR CUSHIONED FLOWBOX



◀ MG speciality grades flowbox supplied to U.S.A. customer.

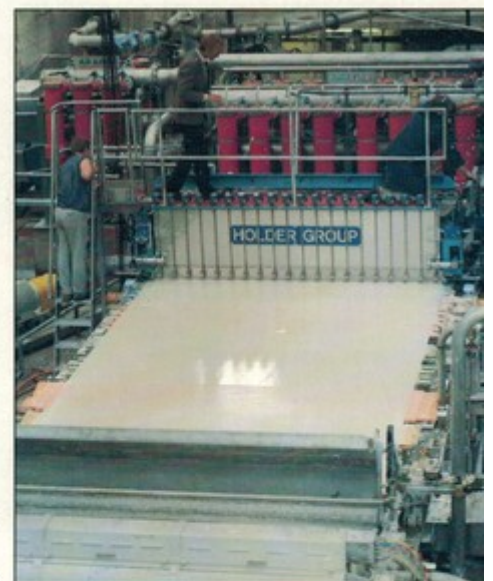


Fine paper machine flowbox



Flowbox operating on kraft speciality grades - Australasia.

▼ Printing & writing grades flowbox -



STANDARD FEATURES

- Tapered header distribution system with tube bank distributor and dissipating roll
- Uniform static pressure across machine
- Tube bank design ensures coalescence of individual tube discharge into stilling area
- Uniform distribution with no settling or flocculation problems
- Rectifier roll to dissipate jets from tube bank
- Manual control valve in recirculation line
- Built in window and integral lights provide excellent internal

Also included in our standard supply:

- Rectifier roll drive units
- Access ladder and cross machine platform
- Full control equipment

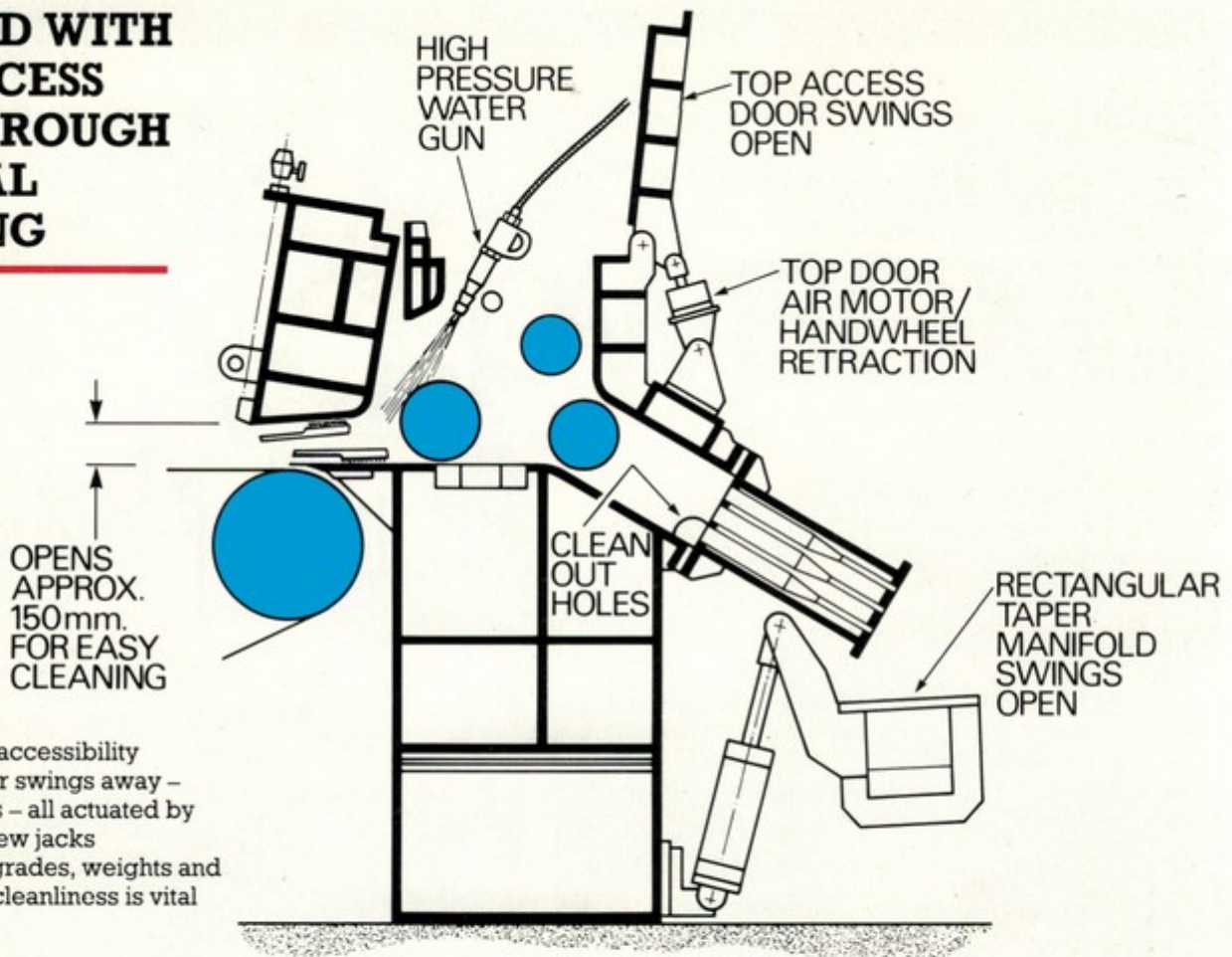
SLICE

- Comprehensive adjusting gear locates top slice relative to bottom lip edge to suit machine speed optimum conditions
- Smooth acceleration of flow from pond to machine speed
- Flexible top slice lip for profiling and cross machine basis weight adjustment by micro screw jacks
- Flocculation tendencies

POND

- Second rectifier roll stabilises flow before slice
- Pond level always remains constant
- Pressure is air cushioned

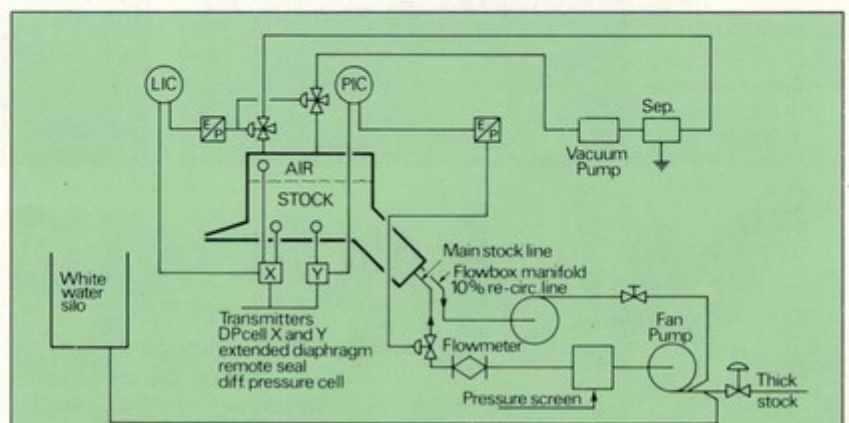
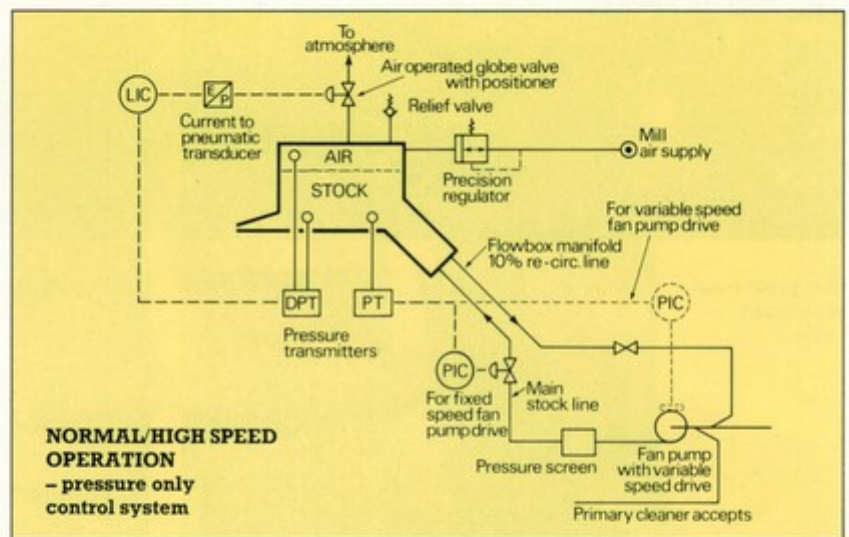
DESIGNED WITH EASY ACCESS FOR THOROUGH INTERNAL CLEANING



- Good operator accessibility
- Tapered header swings away – flowbox top lifts – all actuated by mechanical screw jacks
- Ideal for multi-grades, weights and colours where cleanliness is vital

SIMPLE CONTROLS

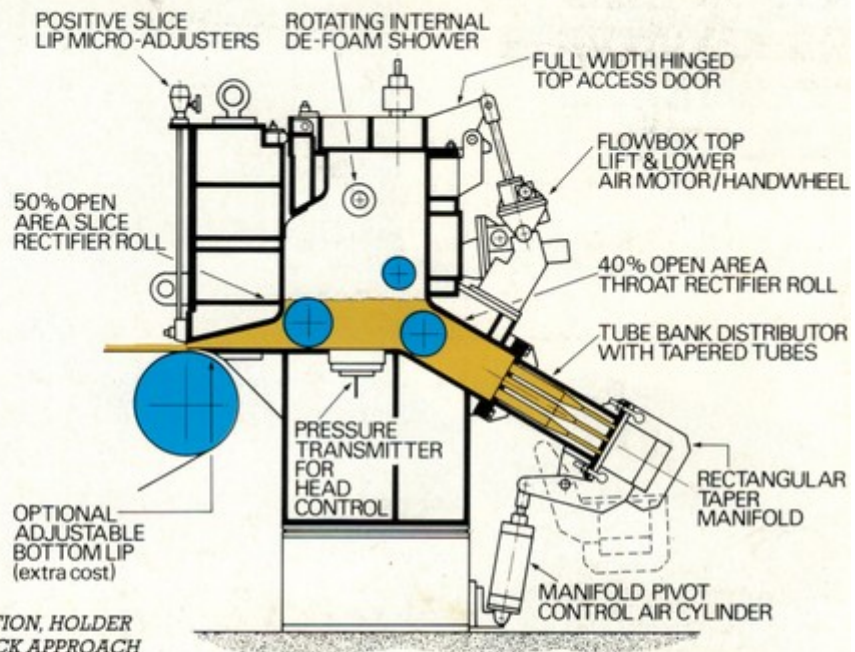
- Reliable and proven control systems
- Jet velocity and pond level independently controlled either under pressure only or pressure/vacuum operation
- Constant pond depth maintained under all production conditions to optimise rectifier roll action
- Electronic total head control via either variable speed fan pump drive or constant speed fan pump drive with thin stock control valve
- All flowboxes are suitable for conversion to automatic computer controlled top slice lip profile adjustment



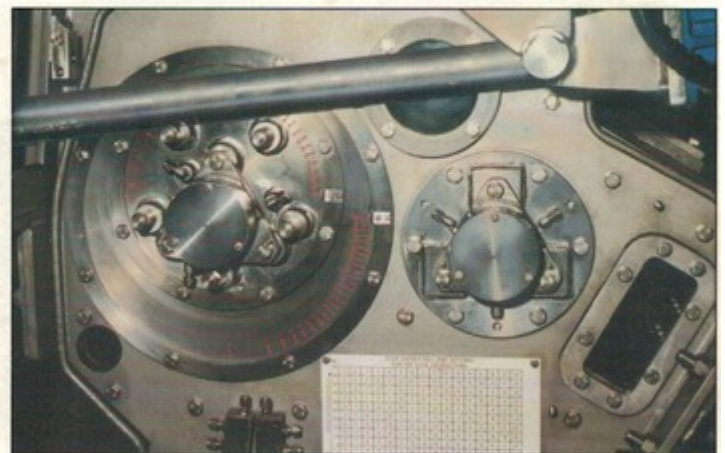
HOLDER PAMAC
Air cushioned flowbox

- Simple installation – all flowboxes are fully shop assembled and shipped for single unit fixing where possible and onto existing foundations
- All external surfaces are finished in stainless steel
- All stainless steel in contact with stock is supplied in 316 quality – pondsides are solid 316 stainless steel
- HOLDER PAMAC air cushioned flowboxes – custom designed by experienced paper machine engineers and built by the finest craftsmen in our own workshops

■ TO OPTIMISE PERFORMANCE OF THE FLOWBOX OPERATION, HOLDER PAMAC SPECIALISTS WILL REVIEW YOUR OVERALL STOCK APPROACH SYSTEM AND CONFIRM ITS SUITABILITY FOR A QUALITY APPLICATION.

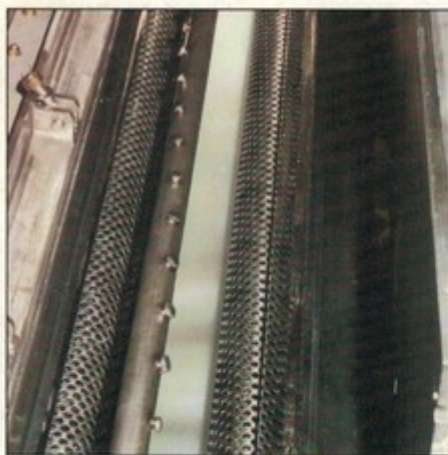


▲ Cheeking piece seal and slice bleed assembly

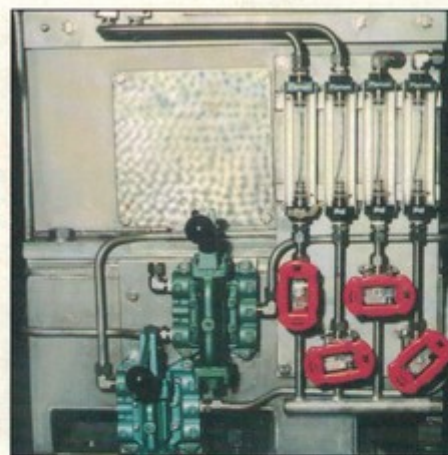


▲ Rectifier roll bearing assemblies – slice roll adjustable – throat roll fixed

▶ Evener rolls and shower pipe with spirally pitched nozzles



▶ Evener roll bearing water supply control equipment and air control valves



HOLDER PAMAC LIMITED

Brandlesholme House, Brandlesholme Road,
BURY BL8 1JJ, Lancashire, U.K.

Tel: 061-761 2616/061-761 3636 (Sales) Telex: 667453 Fax: 061-797 5205 (Group 3)